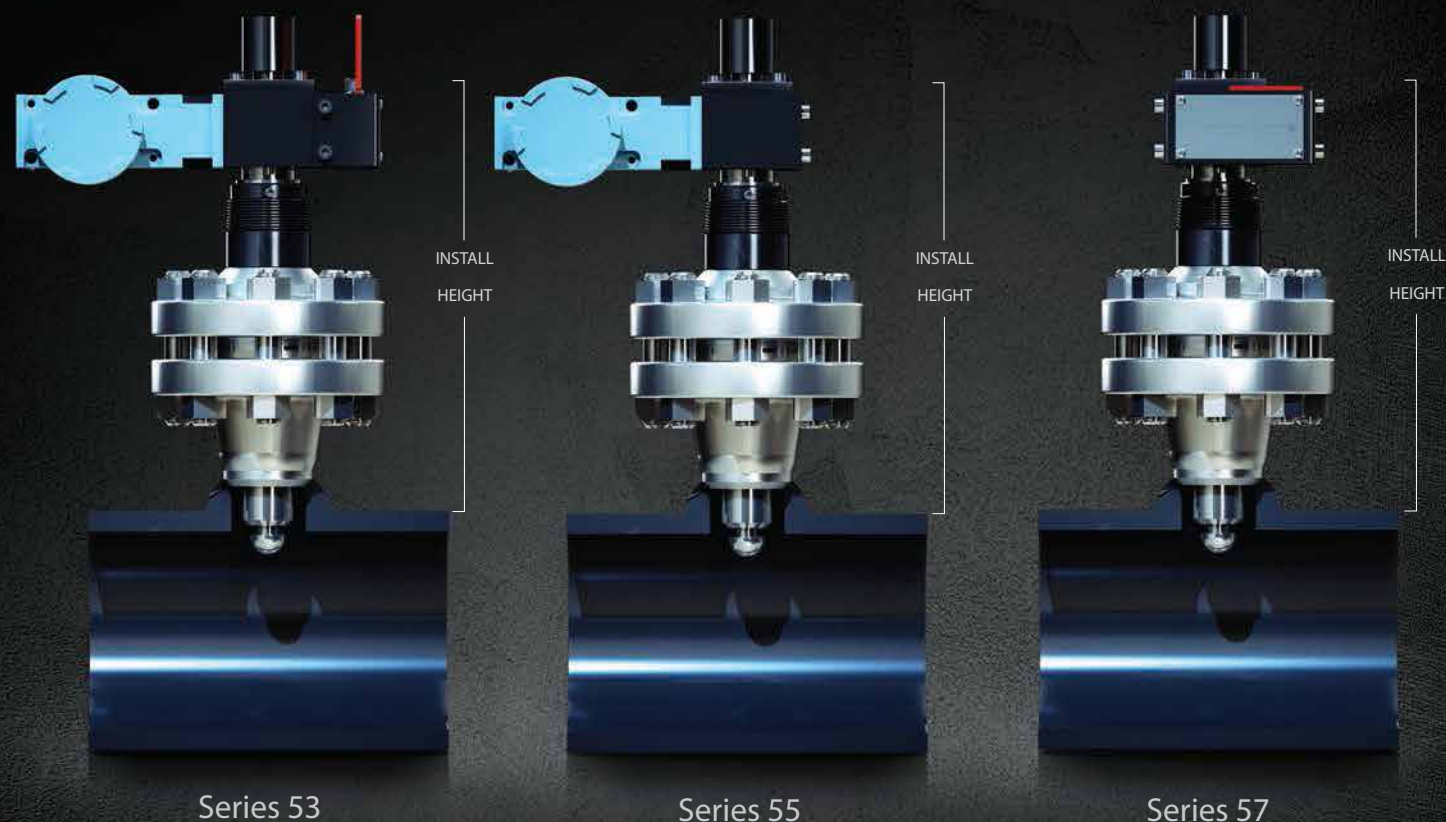


Install Height Adjustment



IMPORTANT: Detection of pig's passage is dependent on proper INSTALL HEIGHT. Incorrect INSTALL HEIGHT could void the warranty.

**TECHNICAL DATA
(SERIES 53 & 55 ONLY)**

LSX Limit Switch - weather sealed, explosion proof enclosures meet NEMA standards: 1, 3, 4, 6, 9 and 13. UL listed and CSA certified: Class I, Div.1, Groups B,C and D. Class II, Div.1, Groups E, F and G.

Electrical Ratings

10 amps continuous carry. Circuits on any pole must be the same polarity.

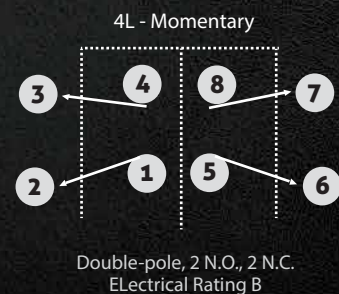
AC Volts Pilot Duty: 600VAC, 720VA

Electrical Rating	Circuitry	VAC	Amps at 0.35 Power Factor	Make	Break
B	Double Pole	120	30	3	
	Double Throw	240	15	1.5	
		480	7.5	0.75	
		600	6	0.60	

DC Volts Pilot Duty: 240VAC, 30 watts

Electrical Rating	Circuitry	VDC	Make and Break Amps Inductive	Resistive
B	Double Pole	120	0.25	0.80
	Double Throw	240	0.15	0.40

Electrical Diagram



pigPRO™

INSTALLATION INSTRUCTIONS

Series 53, 55, 57 Indicators
Flange Mount



INSTALLATION INSTRUCTIONS

Be sure to read the information in this manual carefully before you install the Apache pigPRO indicator

Use these precautions when installing and adjusting the Apache pigPRO indicator:

- ➔ Do not damage top threads of 2" NPT ADAPTER.
- ➔ Do not strike the RESET BUTTON.
- ➔ Do not tighten LOWER HOUSING to seal. LOWER HOUSING should be turned only for PLUNGER adjustment.

Prior to installing your pigPRO Indicator:

- ➔ Cut/drill 1-1/4" coupon from the pipeline. ⚠



Do not install or remove in a pressurized pipeline without first acquiring the services of a qualified hot tap specialist.

All Apache Pig Passage Indicators are shipped from the factory assembled and tested.

APACHE pigPRO SERIES 53
Visual/Electrical Indicator with Manual/Auto Reset

APACHE pigPRO SERIES 55
Electrical Indicator with Auto Reset

APACHE pigPRO SERIES 57
Visual Indicator with Manual Reset

SERIES 57

No disassembly or internal adjustment required when mounting onto a non-pressurized line.

1. Install 2" NPT ADAPTER FLANGE with appropriate GASKET and tighten nuts to specifications (**Figure 1**).
 2. Insert MAIN ASSEMBLY (**Figure 2**).
 3. Adjust MAIN ASSEMBLY by turning UPPER HOUSING clockwise or counter clockwise to attain INSTALL HEIGHT (**Figure 3**) marked on INSTALL HEIGHT TAG located on UPPER HOUSING ASSEMBLY.
- Note: See back page for detailed drawing.*
4. Tighten LOCK SCREW to secure MAIN ASSEMBLY and slide DUST SEAL onto 2" NPT ADAPTER FLANGE (**Figure 4**).

APACHE pigPRO KEY COMPONENTS

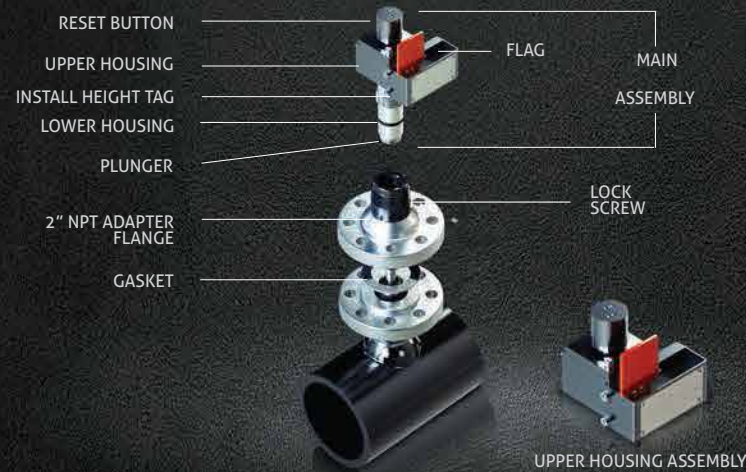


FIGURE 1

FIGURE 2

FIGURE 3

FIGURE 4



SERIES 55

No disassembly or internal adjustment required when mounting onto a non-pressurized line.

1. Install 2" NPT ADAPTER FLANGE with appropriate GASKET and tighten nuts to specifications (**Figure 1a**).
 2. Insert MAIN ASSEMBLY (**Figure 2a**).
 3. Adjust MAIN ASSEMBLY by turning UPPER HOUSING clockwise or counter clockwise to attain INSTALL HEIGHT (**Figure 3a**) marked on INSTALL HEIGHT TAG located on UPPER HOUSING ASSEMBLY.
- Note: See back page for detailed drawing.*
4. Tighten LOCK SCREW to secure MAIN ASSEMBLY and slide DUST SEAL onto 2" NPT ADAPTER FLANGE (**Figure 4a**).

FIGURE 1a

FIGURE 2a

FIGURE 3a

FIGURE 4a



SERIES 53

No disassembly or internal adjustment required when mounting onto a non-pressurized line.

1. Install 2" NPT ADAPTER FLANGE with appropriate GASKET and tighten nuts to specifications (**Figure 1b**).
 2. Insert MAIN ASSEMBLY (**Figure 2b**).
 3. Adjust MAIN ASSEMBLY by turning UPPER HOUSING clockwise or counter clockwise to attain INSTALL HEIGHT (**Figure 3b**) marked on INSTALL HEIGHT TAG located on UPPER HOUSING ASSEMBLY.
- Note: See back page for detailed drawing.*
4. Tighten LOCK SCREW to secure MAIN ASSEMBLY and slide DUST SEAL onto 2" NPT ADAPTER FLANGE (**Figure 4b**).

APACHE pigPRO KEY COMPONENTS

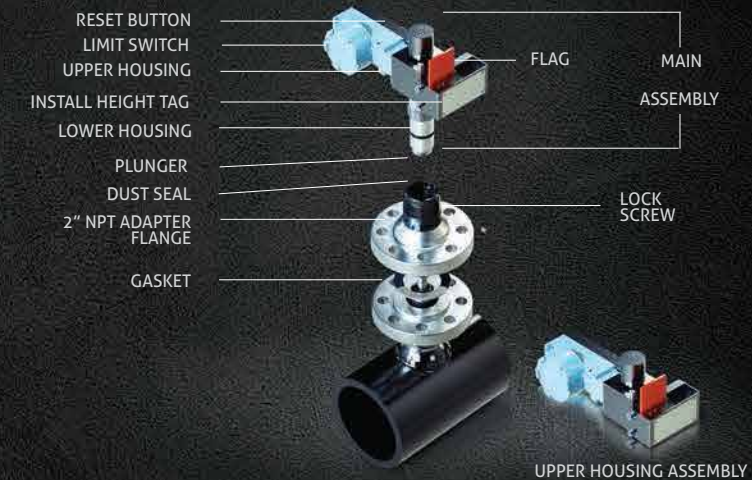
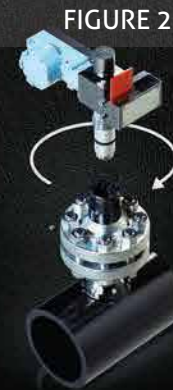


FIGURE 1b

FIGURE 2b

FIGURE 3b

FIGURE 4b



APACHE pigPRO KEY COMPONENTS

