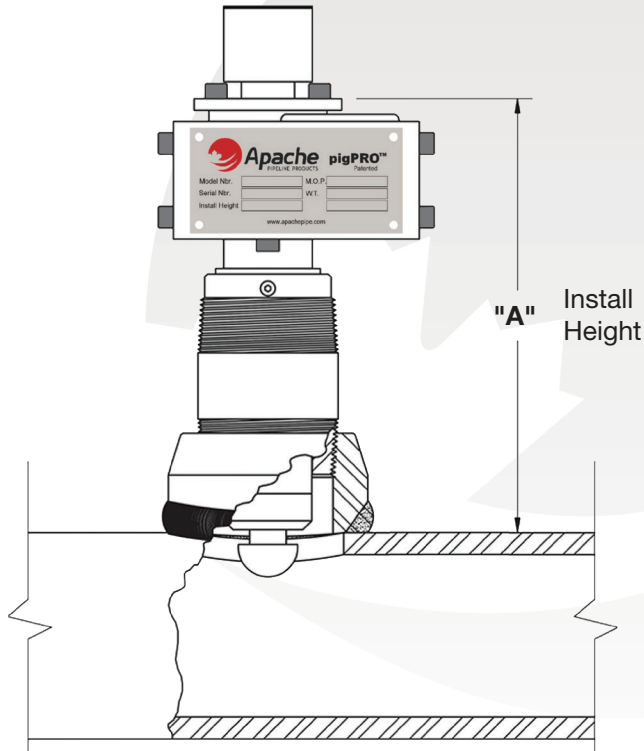


# Series 53, 55, 57

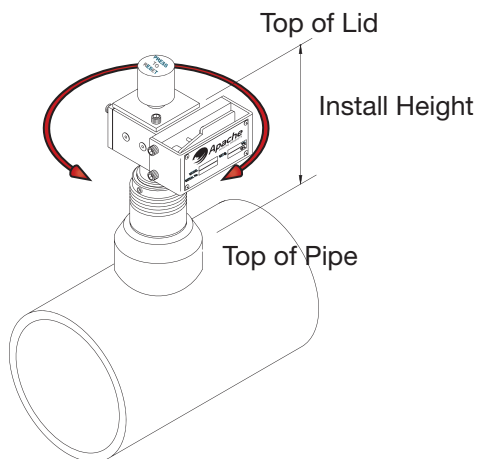
## Base Model Install Height



Wall Thickness		"A"	
0.125"	3.18mm	7 11/16"	195mm
0.141"	3.58mm	7 11/16"	195mm
0.156"	3.96mm	7 11/16"	195mm
0.172"	4.37mm	7 5/8"	194mm
0.188"	4.78mm	7 5/8"	194mm
0.219"	5.56mm	7 5/8"	194mm
0.250"	6.35mm	7 9/16"	192mm
0.281"	7.14mm	7 9/16"	192mm
0.300"	7.62mm	7 1/2"	191mm
0.312"	7.92mm	7 1/2"	191mm
0.330"	8.38mm	7 1/2"	191mm
0.344"	8.74mm	7 7/16"	189mm
0.375"	9.52mm	7 7/16"	189mm
0.406"	10.31mm	7 7/16"	189mm
0.438"	11.13mm	7 3/8"	187mm
0.500"	12.70mm	7 5/16"	185mm
0.531"	13.49mm	7 1/4"	184mm
0.600"	15.24mm	7 1/4"	184mm
0.625"	15.88mm	7 3/16"	183mm

\*Consult Factory if Wall Thickness Not Shown\*

### 1 Adjust Install Height



### 2 Using Supplied Allen Key, Tighten INSTALL HEIGHT LOCK SCREW to Secure Lower Housing

