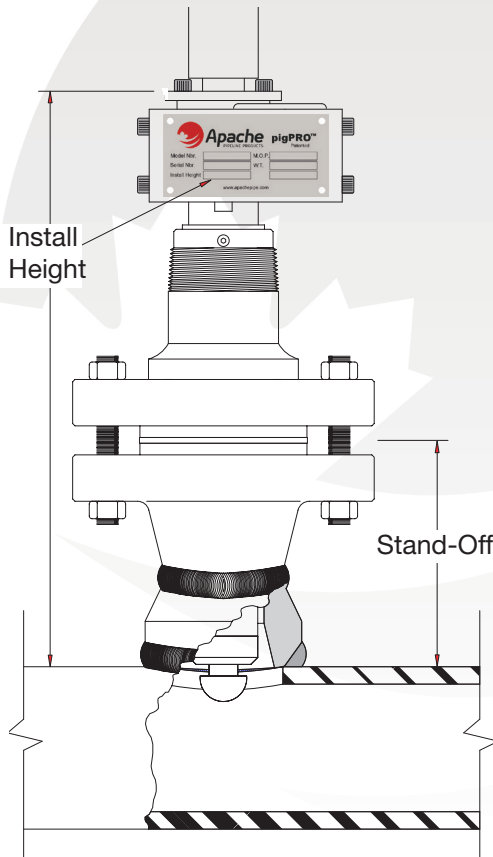


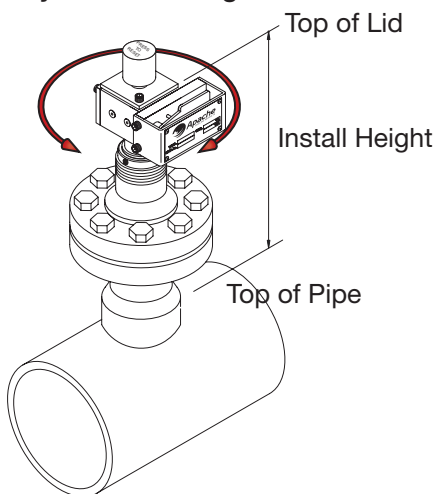
Series 53, 55, 57

Flange Model Install Height



**** Install Height determined by customer supplied Wall Thickness and Stand-Off ****

1 Adjust Install Height



2 Using Supplied Allen Key, Tighten INSTALL HEIGHT LOCK SCREW to Secure Lower Housing

